

AUK ZEUS

AZW-A248 / AZW-I248



Features

- Dual Intel Xeon Scalable/AMD EPYC series processor family
- 6/8/12 - Channel RDIMM/LRDIMM DDR4/DDR5 per processor, up to 8/12/16/24 DIMMs
- 2 x 1G or 10G Lan ports or both
- 1 x Dedicated management port (Optional)
- Up to 8 x 3.5"/ 2.5" SATA HDD/SSD (Optional 4 Bays)
- Front Control Panel: Power Switch; System Reset; USB 3.0 x 2
- Cooling Fan: Optional 1 Front fan and 2 Middle Fan, pre-installed 1 rear fan
- PCIe expansion Slots 2/4 x16/x8
- Single / Dual 800W/1200W/1600W/2000W 80Plus GOLD/Platinum PSU

Specification

Dimensions	Tower D(589.7) x W(200) x H(430)mm
Motherboard	ATX (12" x 9.6"), CEB (12" x 10.5"), EEB(12" x 13")
CPU	Intel Xeon Scalable Processor Family AMD EPYC Series Processor Family
Chipset	Intel Chipsets / System on Chip
Memory	Up to 8/12 Channel RDIMM / LRDIMM DDR4 / DDR5 Memory speed: Up to 4800 / 3200/ 2933 MHz Up to 8 / 12 / 16 / 24 DIMMS
LAN	2 x 1 Gb/s / 2 x 10 Gb/s BASE -T LAN ports (Optional)
Video	Integrated in Aspeed® AST2500 2D Video Graphic Adapter with PCIe bus interface 1920x1200@60Hz 32bpp, DDR4 SDRAM
Storage	8 x 2.5 / 3.5 SATA HDD / SSD Bays
SAS	8 X SAS/ Sata Ports
Expansion Slots	4 x FHFL PCIe Gen4/Gen5 x16 expansion slots
Front I/O	2 x USB 3,0
Rear I/O	1 x VGA, 2 x RJ45, 1 x MLAN Optional
Backplane I/O	Mini-SAS HD (SFF-8643), 12Gbps supported x 3 (pre-installed x 2)

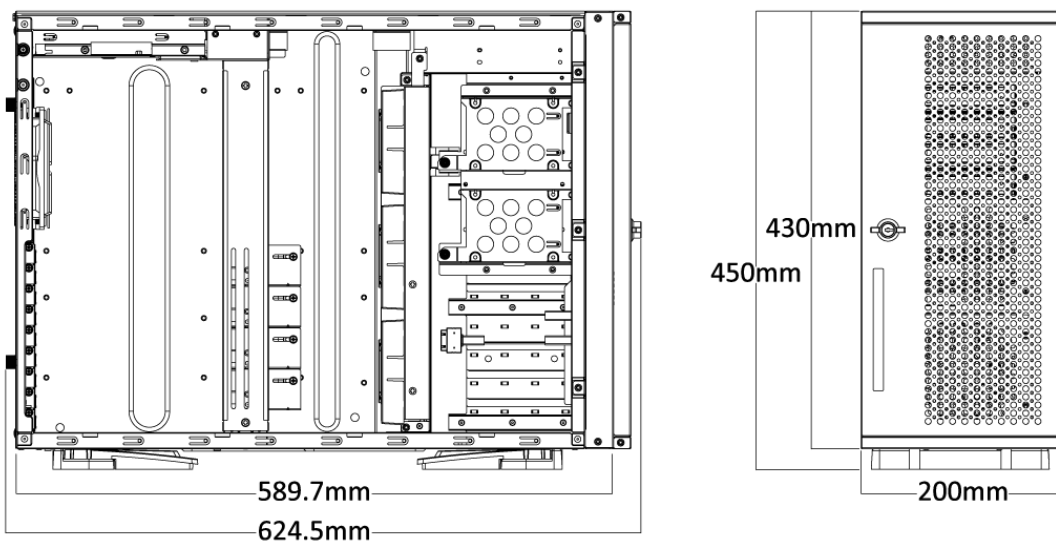
TPM	N/A
Power Supply	Supports Single/PS2, ATX12V 800W / 1200W / 1600W /2000W
System Management	Aspeed® AST2500 management controller Optional GIGABYTE Management Console (AMI MegaRAC SP-X)
OS Compatibility	Windows Server 2016 / 2019 RHEL 8.3 (x64) or later SLES 12 SP5 (x64) / 15 SP2 (x64) or later Ubuntu 18,04,5 LTS (x64) / 20,04 LTS (x64) or later VMware ESXi 6.7 Update3 P03 / 7.0 Update1 or later Citrix Hypervisor 8.2.0 or later
System Fans	Front: 120 x 25mm PWM fan x 1 (Optional) Middle: 120 x 25mm PWM fans x 2 (Optional) Rear: 120 x 25mm PWM fan x 1 (pre-installed)
Operating Properties	Operating temperature: 10°C to 35°C Operating humidity: 8-80% (non-condensing) Non-operating temperature: -40°C to 60°C Non-operating humidity: 20%-95% (non-condensing)
Packaging Content	1 x AZW-A248/I248 1 x Power Cord



* The Above picture is for just illustration only actual product may be different
 * All specifications are subject to change without notice. Please visit our website for the latest information.
 * AMD, and the AMD Arrow logo, AMD EPYC and combinations thereof are trademarks of Advanced Micro Devices, Inc.
 * NVIDIA, the NVIDIA logo, and NVIDIA HGX are trademarks and/or registered trademarks of NVIDIA Corporation in the U.S. and other countries.
 * All other brands, logos and names are property of their respective owners.

Specification

Industry Standard	AZW-A148/I148
M/B Form Factor	ATX(12" x 9.6"), CEB(12" x 10.5"), EEB(12" x 13")
Drive Bay	<ul style="list-style-type: none"> External 2.5"/3.5" hot-swap trays x 12 (pre-installed x 8), 5.25" x 1
Power Supply	Supports: <ul style="list-style-type: none"> Form factor: 80 Plus Platinum CRPS with PDB cable management Watt: 800W/1200W/1600W/2000W
Indicator	Power status, HDD LED, LAN1/LAN2/LAN3/LAN4 LED, ID LED, system fail activity LED
Front Control Panel	Power switch, ID switch, system reset, NMI, USB 3.0 x 2
Chassis Security	Supports padlock loop or Kensington lock
Backplane	Mini-SAS HD (SFF-8643), 12Gbps supported x 3 (pre-installed x 2)
Cooling Fan	<ul style="list-style-type: none"> Middle: 92 x 25mm PWM fan x 3 Rear: 120 x 25mm PWM fan x 1
Expansion Slot	Full-height PCIe slot x 4
Material	<ul style="list-style-type: none"> Material: SGCC Thickness: 1.0mm
Rail Kit	Supports 28" tool-less & ball-bearing slide rail
Product Dimensions (DxWxH; Chassis Only)	589.7 x 200 x 430mm (23.22" x 7.87" x 16.93")
Package Dimensions (DxWxH)	860 x 610 x 360mm
Weight (Chassis Only)	<ul style="list-style-type: none"> Net weight: 16.95kg Gross weight: 21.28kg
Cubic Feet	6.67
Container Information	Single packing with pallets: <ul style="list-style-type: none"> 20': 100pcs 40': 220pcs 40' HQ: 264pcs



* All specifications are subject to change without notice. Please visit our website for the latest information.
 * AMD, and the AMD Arrow logo, AMD EPYC and combinations thereof are trademarks of Advanced Micro Devices, Inc. www.amd.com
 * NVIDIA, the NVIDIA logo, and NVIDIA HGX are trademarks and/or registered trademarks of NVIDIA Corporation in the U.S. and other countries.
 * All other brands, logos and names are property of their respective owners.