

AUK ZEUS

AZW-A125 / AZW-I125



Features

- Intel Xeon Scalable/AMD EPYC series processor family
- AMD Ryzen/Ryzen Threadripper/Threadripper Pro family
- Intel i7/i9/E-series/W-series processor family
- 6/8 - Channel RDIMM/LRDIMM DDR4/DDR5 per processor, up to 4/8/12 DIMMs
- 2 x 1G or 10G Lan ports or both
- 1 x Dedicated management port (Optional)
- Up to 5 x 3.5" SATA HDD/SSD (6 bays Optional)
- Front Control Panel: Power Switch; System Reset; USB 3.0 x 2
- Cooling Fan: Optional 1 Front fan and 2 Middle Fan, pre-installed 1 rear fan
- PCIe expansion Slots 2 x16/x8
- 500W/800W/1200W/2000W single 80Plus GOLD/Platinum PSU

Specification

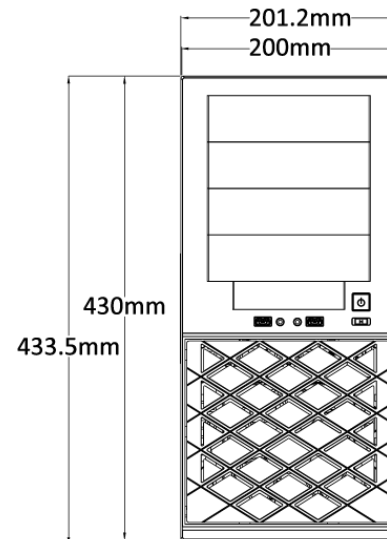
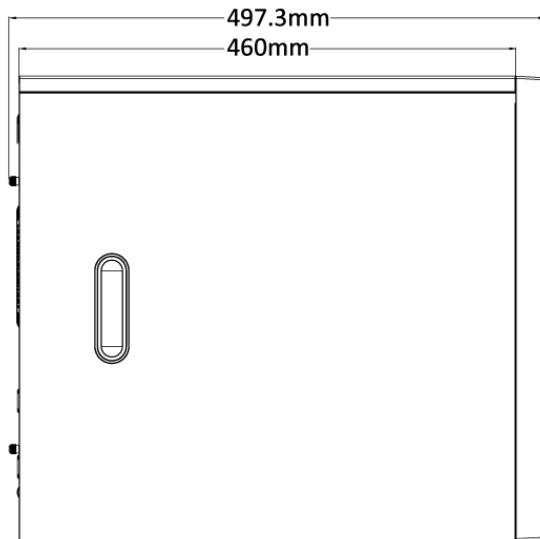
Dimensions	Tower D(460) x W(200) x H(430)mm	TPM	N/A
Motherboard	ATX (12" x 9.6"), CEB (12" x 10.5")	Power Supply	Single PSU ATX12V 500W / 800W / 1200W / 1600W / 2000W
CPU	Intel Xeon Scalable / AMD EPYC Series Processor Family AMD Ryzen / Ryzen Threadripper / Threadripper Pro Family Intel i7/i9/E-series/W-series processor family	System Management	Aspeed® AST2500 management controller Optional GIGABYTE Management Console (AMI MegaRAC SP-X)
Chipset	Intel Chipsets / System on Chip	OS Compatibility	Windows Server 2016 / 2019 RHEL 8.3 (x64) or later SLES 12 SP5 (x64) / 15 SP2 (x64) or later Ubuntu 18.04.5 LTS (x64) / 20.04 LTS (x64) or later VMware ESXi 6.7 Update3 P03 / 7.0 Update1 or later Citrix Hypervisor 8.2.0 or later
Memory	Up to 6/8 Channel RDIMM / LRDIMM DDR4 / DDR5 Memory speed: Up to 3200/ 2933 MHz Up to 4 / 8 / 12 DIMMS	System Fans	Front: 120 x 25mm PWM fan x 1 (Optional) Middle: 120 x 25mm PWM fans x 2 (Optional) Rear: 120 x 25mm PWM fan x 1 (pre-installed)
LAN	2 x 1 Gb/s / 2 x 10 Gb/s BASE-T LAN ports	Operating Properties	Operating temperature: 10°C to 35°C Operating humidity: 8-80% (non-condensing) Non-operating temperature: -40°C to 60°C Non-operating humidity: 20%-95% (non-condensing)
Video	Integrated in Aspeed® AST2500 2D Video Graphic Adapter with PCIe bus interface 1920x1200@60Hz 32bpp, DDR4 SDRAM	Packaging Content	1 x AZW-A125/I125 1 x Power Cord
Storage	5 x 2.5 / 3.5 SATA HDD / SSD Bays		
SAS	N/A		
Expansion Slots	2 x FHFL PCIe Gen4 x16 expansion slots		
Front I/O	2 x USB 3.0		
Rear I/O	1 x VGA, 2 x RJ45, 1 x MLAN Optional		
Backplane I/O	N/A		



- * The Above picture is for just illustration only actual product may be different
- * All specifications are subject to change without notice. Please visit our website for the latest information.
- * AMD, and the AMD Arrow logo, AMD EPYC and combinations thereof are trademarks of Advanced Micro Devices, Inc.
- * NVIDIA, the NVIDIA logo, and NVIDIA HGX are trademarks and/or registered trademarks of NVIDIA Corporation in the U.S. and other countries.
- * All other brands, logos and names are property of their respective owners.

Specification

M/B Form Factor	ATX(12" x 9.6"), CEB(12" x 10.5")
Drive Bay	<ul style="list-style-type: none"> • External 5.25" x 4, 3.5" x 1 • Internal 2.5"/3.5" x 5
Power Supply	Supports PS2, ATX12V
Indicator	Power status, HDD, LANs, system fail activity LEDs, ID
Front Control Panel	Power switch, system reset, USB 2.0 x 2
Chassis Security	<ul style="list-style-type: none"> • Intrusion switch (optional) • Supports padlock loop or kensington lock
Cooling Fan	<ul style="list-style-type: none"> • Front: optional 120 x 25mm PWM (2850RPM) x 1 or 92 x 25mm PWM x 1 • Rear: 120 x 25mm PWM x 1
Expansion Slot	Full-height PCIe slots x 7
Material	<ul style="list-style-type: none"> • Material: SECC • Thickness: 0.6~0.8mm
Rail Kit	N/A
Product Dimensions (DxWxH; Chassis Only)	460 x 200 x 430mm (18.1" x 7.9" x 16.9")
Package Dimensions (DxWxH)	493 x 262 x 558mm
Weight (Chassis Only)	<ul style="list-style-type: none"> • Net weight: 8.32kg • Gross weight: 9.74kg
Cubic Feet	2.54
Container Information	Single packing with pallets: <ul style="list-style-type: none"> • 20': 270pcs • 40': 594pcs • 40'HQ: 704pcs



* All specifications are subject to change without notice. Please visit our website for the latest information.
 * AMD, and the AMD Arrow logo, AMD EPYC and combinations thereof are trademarks of Advanced Micro Devices, Inc.
 * NVIDIA, the NVIDIA logo, and NVIDIA HGX are trademarks and/or registered trademarks of NVIDIA Corporation in the U.S. and other countries.
 * All other brands, logos and names are property of their respective owners.